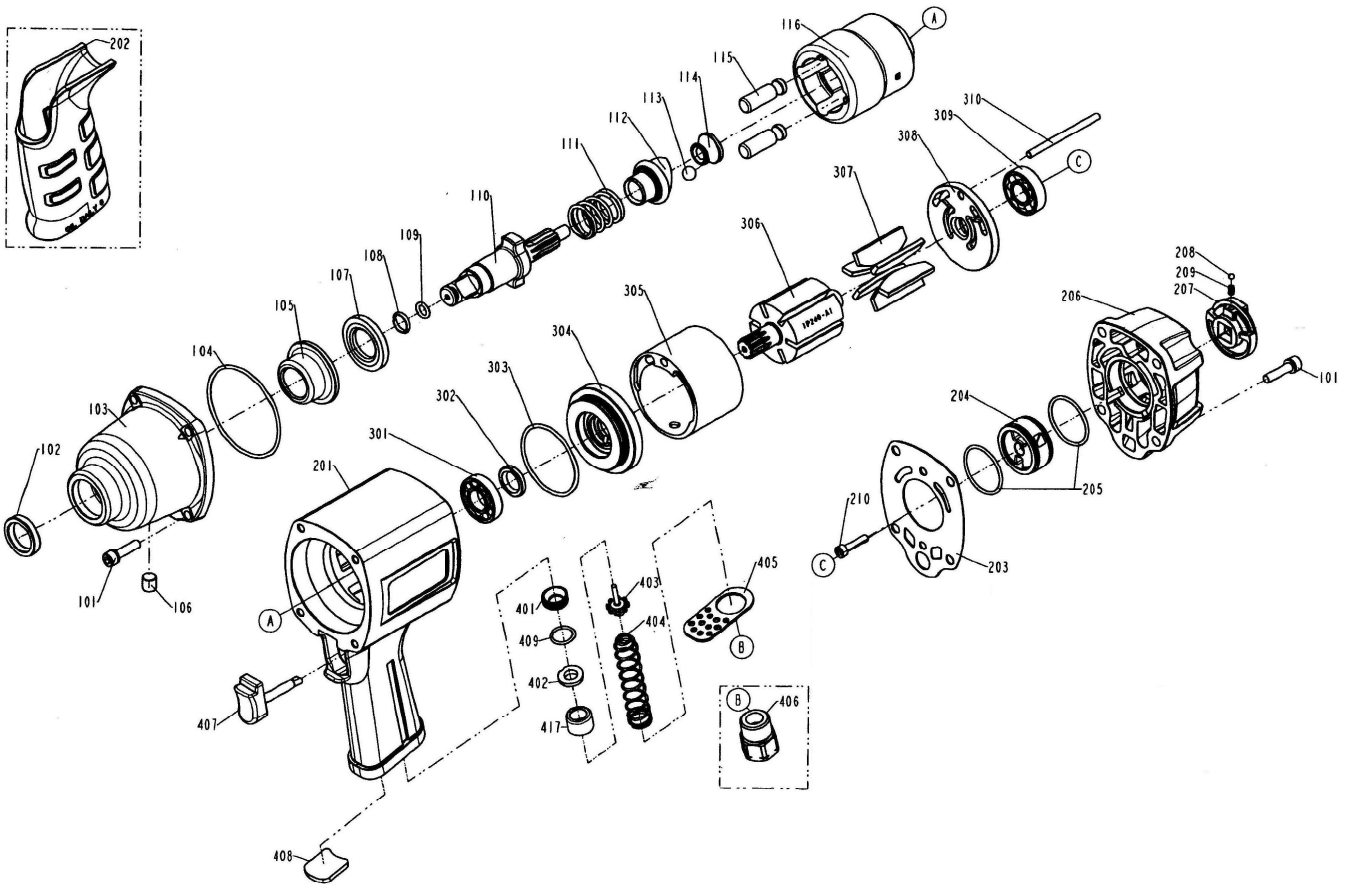


# DIAGRAM OF BEX IP240-G1



ITEM NO.	PART NO.	DESCRIPTION	ITEM NO.	PART NO.	DESCRIPTION	ITEM NO.	PART NO.	DESCRIPTION
101	3002190200	BOLT ASSY	307	12314-0070001-1	BANE			
102	2042300-01010-0	OIL SEAL	308	12316-0050001-1	REAR BEARING PLATE			
103	12318-0054701-1	HAMMER CASE	309	2041200-00083-0	BEARING			
104	2152014	O - RING	310	1230B-0074701-1	PIN			
105	1230K-0050001-1	HAMMER CASE BUSHING	401	1230K-0070001-1	INSERT BUSHING			
106	2040104-05020-1	HEX.SOC.HD.SCREW	402	12319-0070001-2	SEAL			
107	12340-0050001-1	WASHER	403	12226-0074701-1	TIP VALVE			
108	2040306-00010-0	SOCKET RETAINER	404	12308-0070001-1	VALVE SPRING			
109	2152058	O - RING	405	12346-0074701-1	EXHAUST DEFLECTOR			
110	1230D-0050001-1	ANVIL	406	12309-0014701-2	AIR INLET			
111	1230J-0050001-1	SPRING	407	12225-0074701-2	TRIGGER UNIT			
112	1230H-0050001-1	HAMMER CAM	408	12351-0070001-1	MUFFLER			
113	2040800-03030-0	BALL	409	2041104-02070-0	O - RING			
114	1230G-0050001-1	CAM PILOT	417	1230K-0070007-1	BUSHING			
115	1230B-0050001-2	HAMMER CAGE PIN						
116	1230E-0050001-2	HAMMER FRAME						
201	12302-0076607-1	HOUSING						
202	1230N-0074713-1	HANDLE GRIP						
203	1230S-0070001-1	HOUSING GASKET						
204	1230L-0070008-1	REVERSE VALVE						
205	2041104-03030-0	O - RING						
206	12223-0071301-1	REAR COVER UNIT						
207	12246-0074702-1	SPRING						
208	2161031	STEEL BALL						
209	1230J-0070002-1	SPRING						
210	2040101-02090-2	HEX.SOC.HD.BOLT						
301	2041200-00120-0	BEARING						
302	2042300-04020-0	OIL SEAL						
303	2041102-04060-0	O - RING						
304	12312-0050002-1	FRONT BEARING PLATE						
305	12315-0050001-1	CYLINDER						
306	12313-0050001-1	ROTOR						