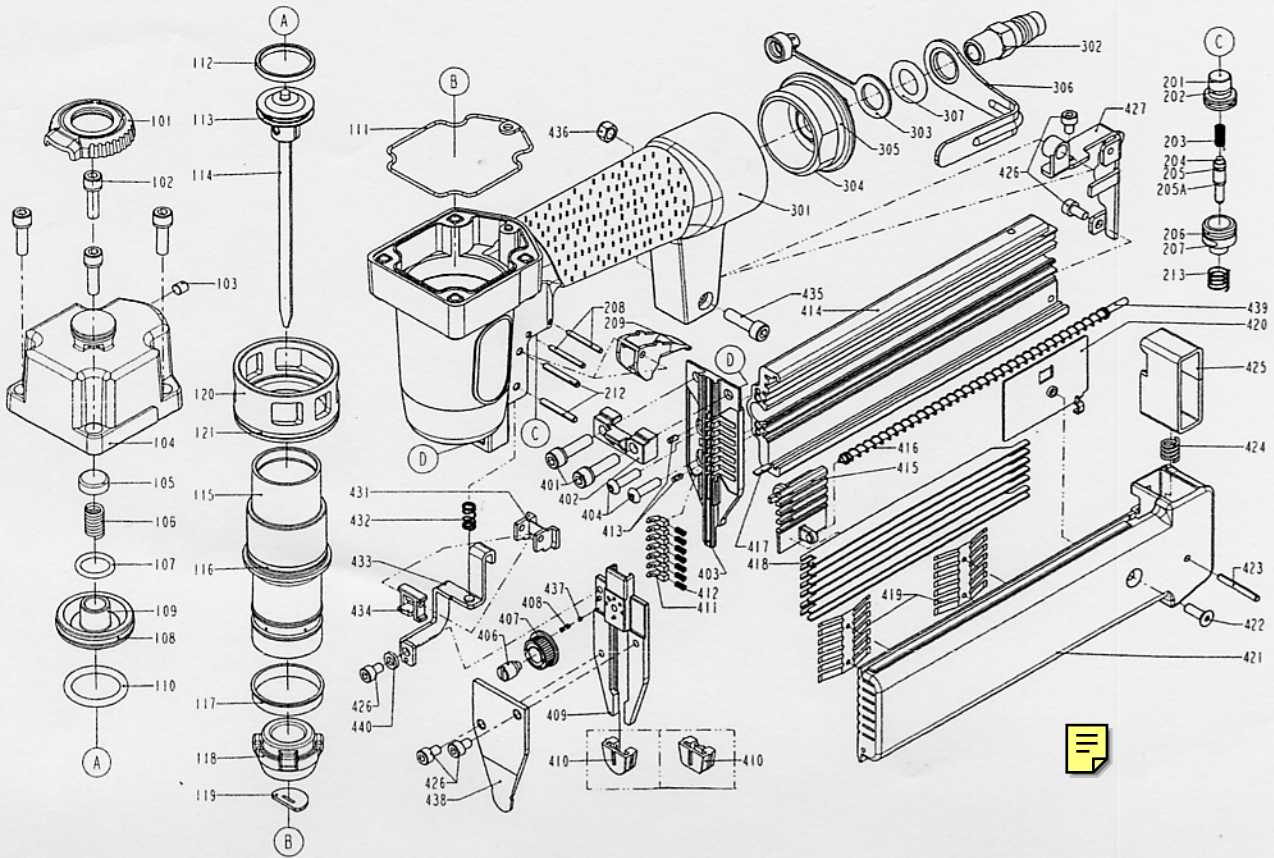


# DIAGRAM OF MODEL NO. B18/50P-B1



ITEM NO.	PART NO.	DESCRIPTION	ITEM NO.	PART NO.	DESCRIPTION	ITEM NO.	PART NO.	DESCRIPTION
101	11371-0394701-1	DEFLECTOR	301	11230-0155603-1	GUN BODY UNIT	434	1131Y-0394701-1	SAFETY SPRING BASE
102	2040100-02010-0	BOLT W/FLAT WASHER	304	11346-0154705-1	END CAP	435	2040101-03070-0	HEX.SOC.HD.BOLT
103	2040104-03010-0	HEX.SOC.HD.SCREW	305	2041109-04060-0	O - RING	436	2040500-03020-0	LOCK NUT
104	11201-0394701-1	CAP UNIT	401	2040100-03030-2	BOLT ASSY	437	2040800-05010-0	BALL
105	11370-0010003-1	SEAL	402	11353-0394705-1	DRIVER GUIDE COVER B	438	11351-0394703-1	DRIVER GUIDE COVER C
106	11360-0010001-1	COMPRESSION SPRING	403	11303-0394711-1	DRIVER GUIDE	439	11395-0394701-1	ROD
107	2041100-02020-0	O - RING	404	2040102-02030-0	HALF ROUND HD.HEX.BOLT			
108	2041108-04010-0	O - RING	405	2040101-02010-0	HEX.SOC.HD.BOLT			
109	11368-0150001-1	HD.VALVE PISTON	406	1131N-0394701-1	SCREW			
110	2041108-03030-0	O - RING	407	1137H-0394701-1	ADJUST AXIE			
111	1132M-0154701-1	PACKING	408	1131L-0394701-1	POSITIONING SPRING			
112	11350-0010002-1	PISTON RING	409	11352-0394706-1	DRIVER GUIDE COVER A			
113	2041105-03020-0	O - RING	410	11339-0394701-1	PROTECTIVE CASING			
114	11204-0390016-1	DRIVER UNIT	411	11308-0394701-1	GUIDE LOCATING			
115	11320-0390009-1	CYLINDER	412	1138J-0394701-1	GUIDE LOCATING SPRING			
116	2041109-04100-0	O - RING	413	2040400-04030-0	SPRING PIN			
117	11322-0010001-1	CYLINDER RING	414	11389-0390003-1	MAGAZINE A			
118	11327-0800001-1	BUMPER	415	11363-0394703-1	PUSHER			
119	11388-0394701-1	DRIVER GUIDE	416	11367-0394702-1	PUSHER SPRING			
120	11399-0154701-1	COLLAR	417	11377-0394702-1	FLAT BAR			
121	2041109-05020-0	O - RING	418	1133X-0390001-1	SPACER			
201	11373-0150001-2	TRIGGER VALVE HEAD	419	1134K-0390001-1	SPRING			
202	2041102-01020-0	O - RING	420	1138K-0394701-1	SPACER SAFETY COVER			
203	1133U-0014701-1	SPRING	421	11391-0390003-1	MAGAZINE B			
204	11375-0154701-1	PLUNGER	422	2040103-02060-0	COUNTER SUNK SCREW			
205	2041102-01030-0	O - RING	423	2040400-05130-0	SPRING PIN			
205A	2041102-01031-0	O - RING	424	11337-0074701-1	SAFETY SPRING			
206	2041109-02030-0	O - RING	425	11343-0394702-1	LATCH			
207	11374-0154701-1	PLUNGER CAP	426	2040101-02020-0	HEX.SOC.HD.BOLT			
208	2040400-04110-0	SPRING PIN	427	11323-0394706-1	BRACKET			
209	11316-0394703-1	TRIGGER	431	11338-0394701-1	SAFETY GUIDE			
212	2040400-05110-0	SPRING PIN	432	11337-0394702-1	SAFETY SPRING			
213	11376-0154701-1	SPRING	433	11330-0394709-1	SAFETY			